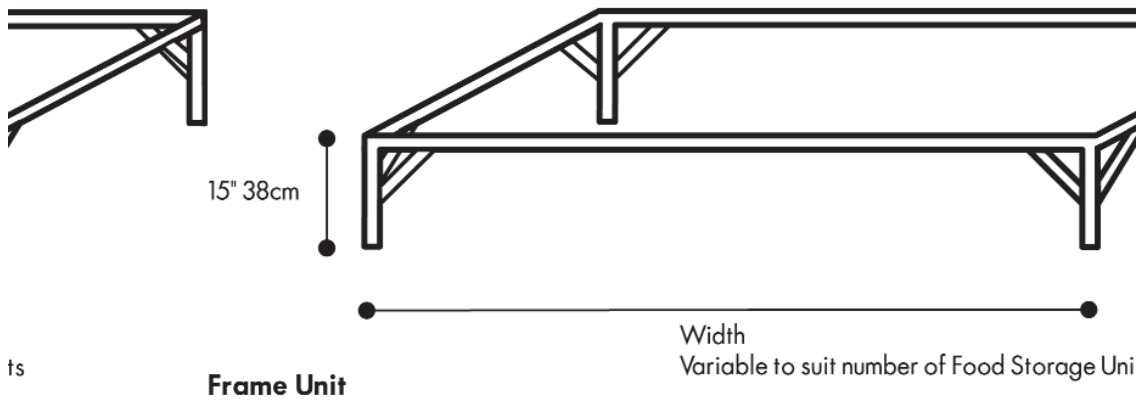
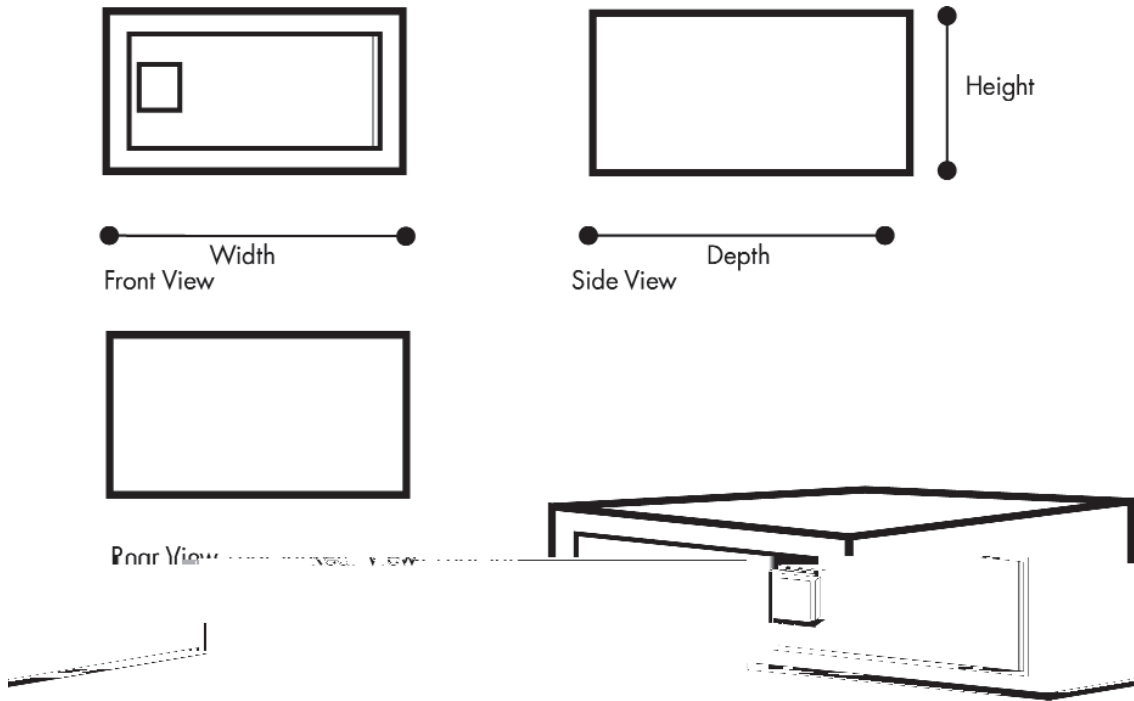


BNWaste Inc.

Food Storage Unit and Frame Unit

Unit:	Height	Width	Depth	Capacity
Food Storage Unit	18" 45.7cm	22" 55.8cm	24" 61cm	5.4 ft ³ 0.15m ³

Food Storage Units may be arranged 4 wide by 2 deep for a capacity of 8 Units.
Other configurations can be supplied to suit a variety of customer requirements.



For information:

BNWaste Inc.
201B 749 Railway Ave.,
Canmore, Alberta, Canada. T1W 1P2

Phone: 403-609-3830
Fax: 403-609-3831
Email: hugh@bearbins.com
Web: www.bearbins.com